



PHOENIX FENCE

EDMONTON

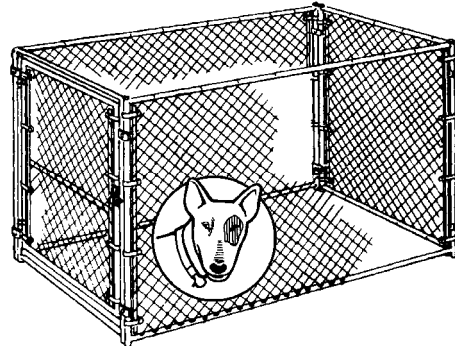
12816-156 STREET T5V 1E9
PHONE: (780) 447-1919
FAX: (780) 447-2512
TOLL FREE: 1-800-661-9847
E-MAIL: phoenix@phoenixfence.ca

CALGARY

6204-2nd STREET S.E. T2H 1J4
PHONE: (403) 259-5155
FAX: (403) 259-2262
TOLL FREE: 1-888-220-2525
E-MAIL: calgary@phoenixfence.ca

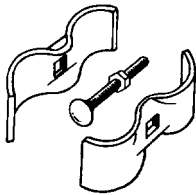
WEBSITE: www.phoenixfence.ca

Dog Kennels

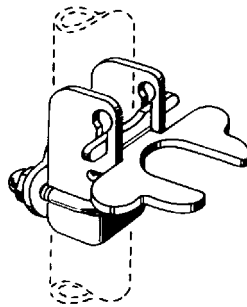


Features

- Cost less than regular installed fences.
- Free standing, panels are simply clamped together.
- Sets up easily in 30 minutes.
- Completely portable and relocatable.
- Sets on any level surface, no post holes to dig.
- All galvanized construction to prevent corrosion.



Panels join together with panel clamps. 1/2" clearance between panel posts.



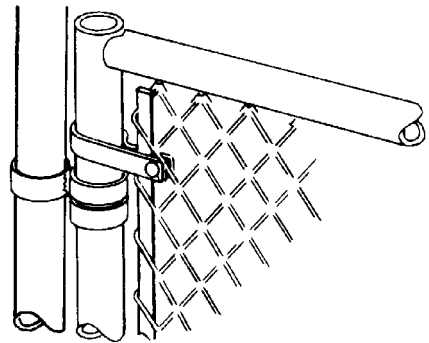
Phoenix "Flip-latch" offers a new concept in kennel latches... simply lift keeper and roll back for open position... to latch, flip keeper away from gate, allowing it to engage post and latch itself.

May be mounted left or right... for gates swinging in or out. Opens from both sides – easy for people, but ALMOST IMPOSSIBLE for dogs. Only 7/8" clearance between posts.

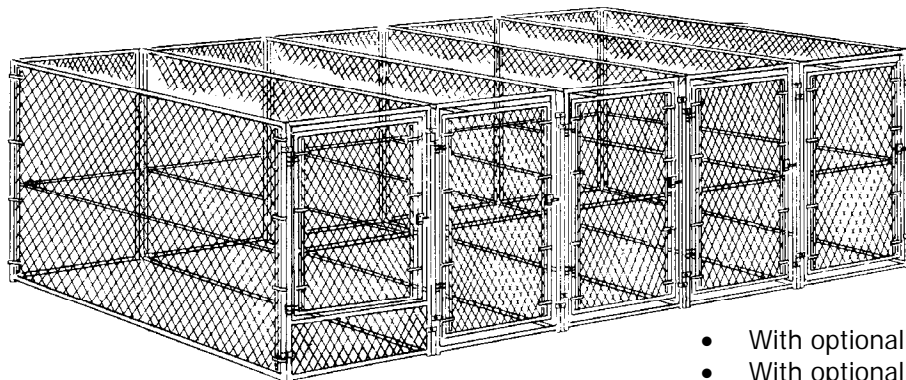
Provision for a padlock.

No sharp edges to injure your dog... SAFE!

Hinge Assembly



This hinge reduces clearance between frame and gate to approximately 3/8". It is made for square welded gates. The gate itself (one side) becomes part of the hinge assembly, and takes the place of the regular frame hinge.



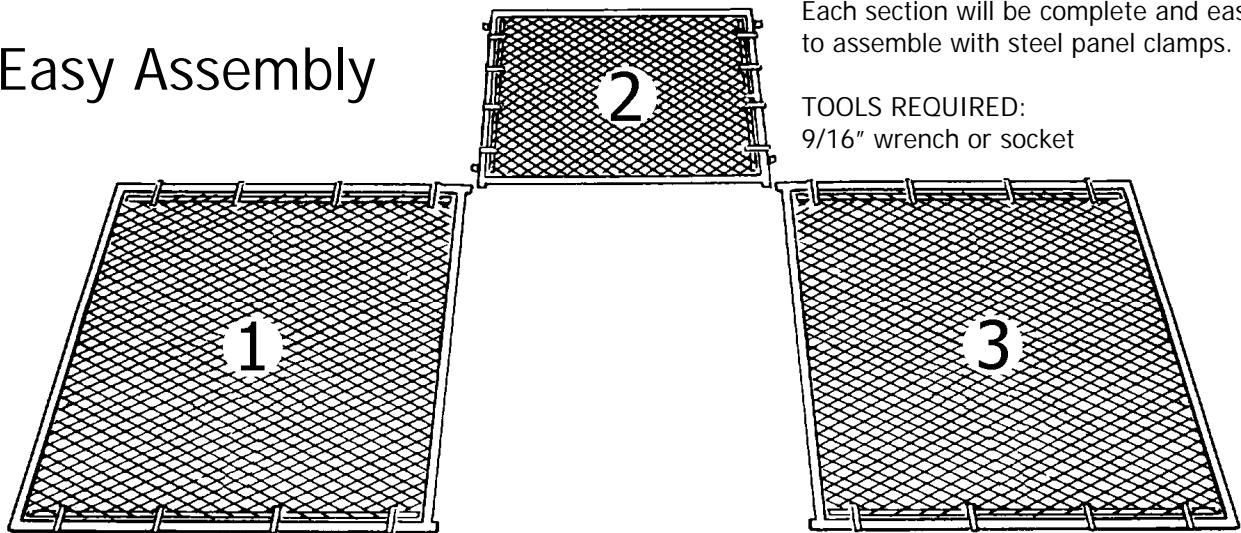
- With optional puppy guard
- With optional center rail

Standard Size Kennels

The standard kennels shown below are 5' or 6' high, with 11 gauge chain link mesh, a 3' wide gate with a flip-latch and all necessary panel clamps. (Other sizes available on request)

Height	Size	Weight Each	Price Each	Height	Size	Weight Each	Price Each
6'	4' x 8'	218 lbs.		5'	4' x 8'	192 lbs.	
6'	4' x 10'	235 lbs.		5'	4' x 10'	207 lbs.	
6'	4' x 12'	252 lbs.		5'	4' x 12'	224 lbs.	
6'	6' x 10'	251 lbs.		5'	6' x 10'	222 lbs.	
6'	6' x 12'	269 lbs.		5'	6' x 12'	240 lbs.	
6'	6' x 16'	345 lbs.		5'	6' x 16'	306 lbs.	
Options							
6'	9 gauge fabric (Heavier) add \$_____ per lineal foot			5'	9 gauge fabric (Heavier) add \$_____ per lineal foot		
Center rail add \$_____ per lineal foot							

Easy Assembly



Each section will be complete and easy to assemble with steel panel clamps.

TOOLS REQUIRED:
9/16" wrench or socket

Step 1

Stand up panel #1 and #2. Clamp together first with top panel clamp, then bottom. Each corner will have 2 panel clamps. Chain link mesh should be on outside of kennel.

Step 2

Stand panel #3 and clamp to panel #2. Use top panel clamp first, then bottom.

Step 3

Take gate #4 and clamp to panel #1 and #3. All gates latch on right.

Step 4

Tighten all bolts in panel clamps. Make sure kennel is level so gate will swing and latch easily.

Add-on Capacity

- All Phoenix kennels may be enlarged by addition of extra panel sections. Example: 4' wide x 10' long may be enlarged to 10' wide x 10' long just by adding two

6' panels. Likewise, this 10' wide x 10' long may be enlarged to 10' wide x 20' long by adding two 10' panels.

- Roof panels may be added.

Sturdy Construction

- 1 3/8" OD galvanized pipe used throughout kennel.
- 11 gauge galvanized chain link mesh (optional 9 gauge).
- Center rail optional.
- Aluminum ties attach fabric to pipe on top and bottom.
- Bands secure the tension bar to post and keep fabric tight in panel.
- Safe-T "Flip-latch" allows gate to be opened from both sides. Very difficult for a dog to operate. Provision for a padlock.
- Welded for sturdy construction.
- Free standing – no posts required.

DEALER:

